

SMD Wirewound Inductors SDH5030 SERIES

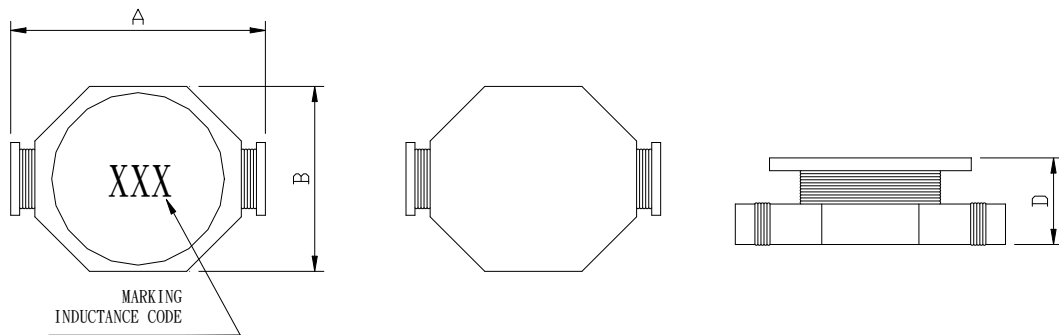


PART NUMBERING SYSTEM

SDH	5030	—	5R8M	—	LF
TYPE	DIMENSIONS		INDUCTANCE		LEAD FREE

SHAPES AND DIMENSIONS

UNIT : mm



A=22.35 Max. B=16.26 Max. D=10.16Max.

Description

- Height : 10.16mm Max.
- Inductance range from 0.65 uH to 29 uH
- Current range from 6.5 A to 30 A
- Suitable for large current
- Ideal for DC-DC converter inductor applications

Environmental Data

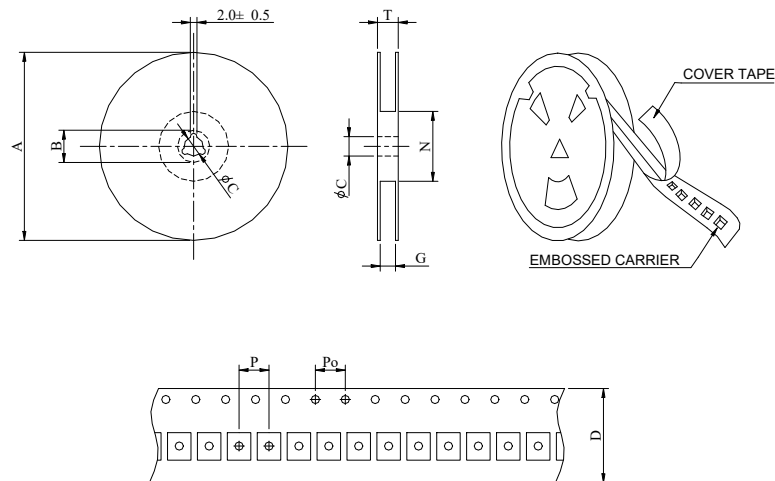
- Storage temperature range : - 40°C to + 125°C
- Operating temperature range : - 40°C to + 125°C (ambient + temp rise)

SPECIFICATION TABLE

PART NUMBER	INDUCTANCE (μ H)	DCR(m Ω) (Max.)	I _{sat} (A) (Max.)	I _{rms} (A) (Max.)	TEST FREQ. (f)
SDH5030-R65M-LF	0.65 \pm 20%	1.80	30.0	30	100KHz
SDH5030-R85M-LF	0.85 \pm 20%	2.20	23.7	25	100KHz
SDH5030-1R8M-LF	1.83 \pm 20%	2.60	21.8	20	100KHz
SDH5030-3R0M-LF	3.00 \pm 20%	3.70	18.3	17	100KHz
SDH5030-4R0M-LF	4.00 \pm 20%	4.40	16.8	15	100KHz
SDH5030-5R8M-LF	5.78 \pm 20%	6.70	13.6	13	100KHz
SDH5030-8R3M-LF	8.30 \pm 20%	7.80	12.6	12	100KHz
SDH5030-130M-LF	13.0 \pm 20%	13.0	9.70	11	100KHz
SDH5030-180M-LF	18.7 \pm 20%	19.0	8.10	10	100KHz
SDH5030-290M-LF	29.0 \pm 20%	29.0	6.50	8.5	100KHz

- I_{sat} : DC current at which the inductance drops 10% (typ) from its value without current.
- The Heating Current is the DC current required to raise the component temperature by approximately 40°C.
- Operating temperature range : - 40°C to + 125°C.

PACKAGING SPECIFICATION



SERIES	STAYLE	Q'TY (PCS)	DIMENSIONS (m/m)								
			A	B \pm 0.8	C \pm 0.5	D	G ⁺⁰	N ⁰	P	P ₀	T
SDH5030	13-32	250	330	21	13	32	34	100	32	4	38.4